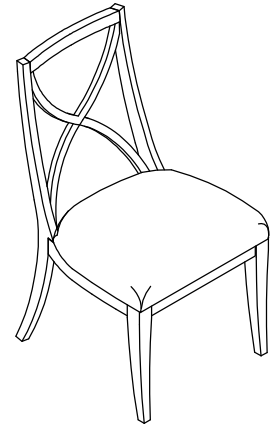


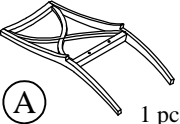
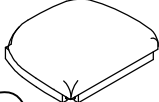


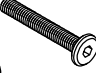
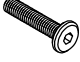
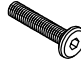



**Warning :**

- Be sure to check all packing material carefully for small parts, which may have come loose inside the carton during shipment.
- To prevent possible scratches and damage, this furniture must be assembled on a soft surface such as a blanket or carpet.

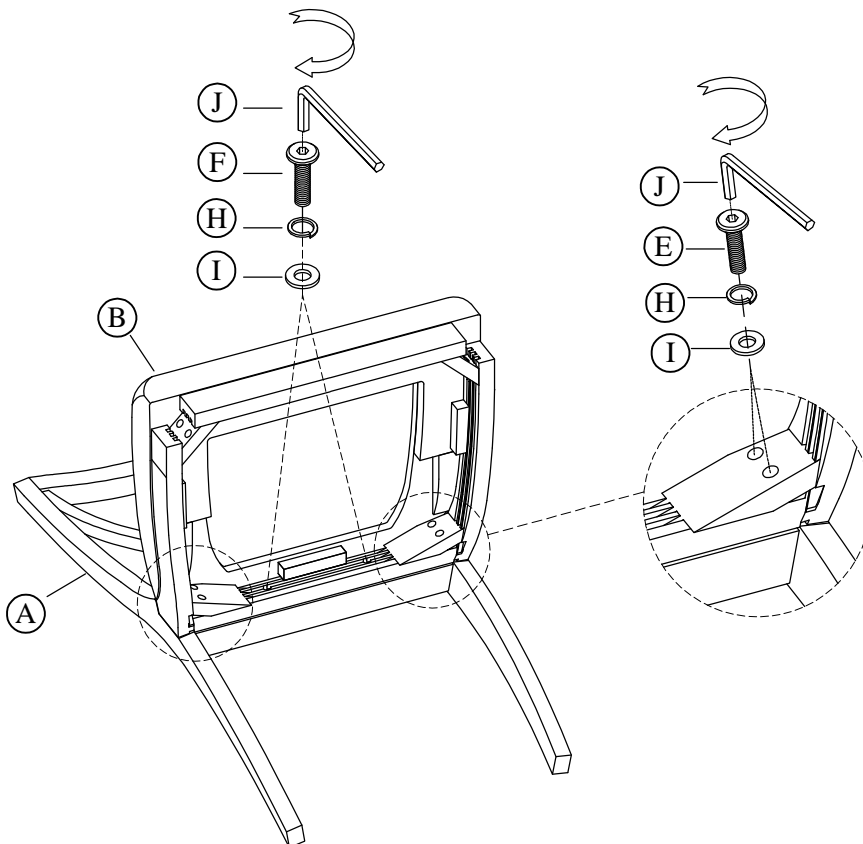


#50357  
X Back UPH Side Chair

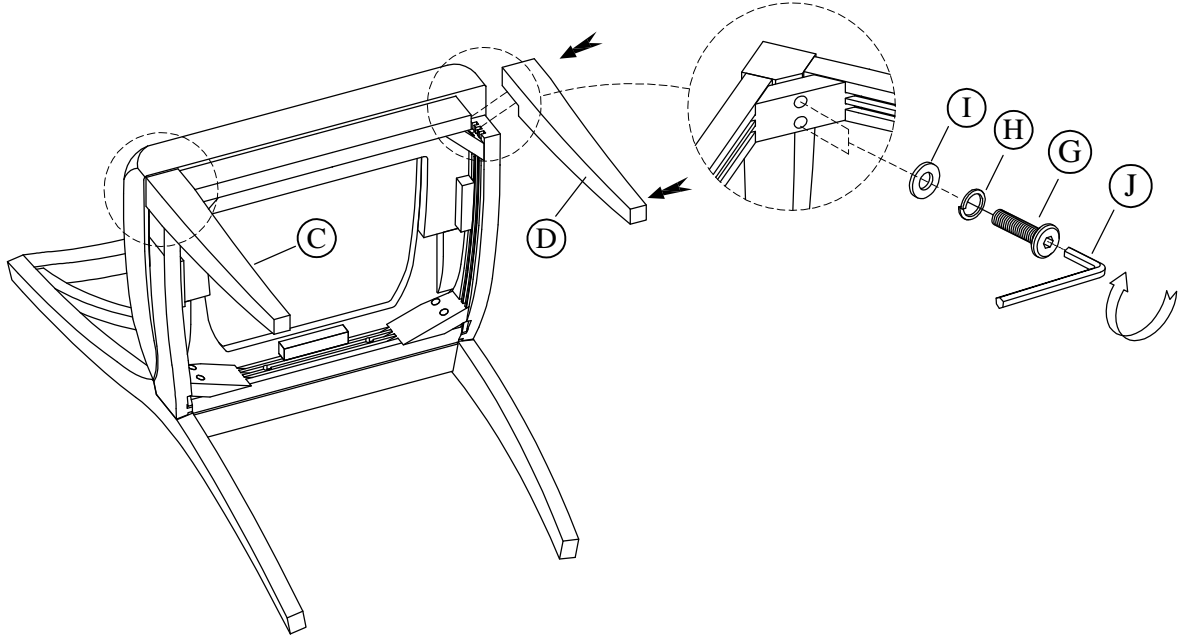
**Components and Hardware List**

<p>Back Chair</p>  <p><b>A</b> 1 pc.</p>	<p>Seat Cushion</p>  <p><b>B</b> 1 pc.</p>	<p>Front Leg (Left)</p>  <p><b>C</b> 1 pc.</p>	<p>Front Leg (Right)</p>  <p><b>D</b> 1 pc.</p>	<p>Allen Head Bolt Ø5/16"-18 x 3-1/8"</p>  <p><b>E</b> 4 pcs.</p>
<p>Allen Head Bolt Ø5/16"-18 x 1-3/4"</p>  <p><b>F</b> 2 pcs.</p>	<p>Allen Head Bolt 5/16"-18 x 2-1/8"</p>  <p><b>G</b> 4 pcs.</p>	<p>Spring Washer Ø5/16"</p>  <p><b>H</b> 10 pcs.</p>	<p>Flat Washer Ø5/16" x 19*2mm</p>  <p><b>I</b> 10 pcs.</p>	<p>Allen Key 5mm</p>  <p><b>J</b> 1 pc.</p>

**STEP 1:**



STEP 2:



Complete

